



Remote Video Microphone
Quick Reference Guide

Icon Conventions

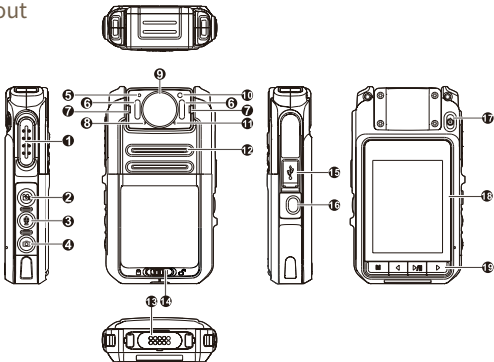
The following icons are available through this manual:

 Caution: Indicates situations that could cause data loss or equipment damage.

 Note: Indicates references that can further describe the related topics.

Product Introduction

Product Layout



No.	Part Name	No.	Part Name
1	Push-to-Talk (PTT) Key	11	Microphone 1
2	Video Recording Key	12	Speaker
3	Audio Recording Key	13	Accessory Interface (10-pin)
4	Photo Taking Key	14	Battery Latch
5	Light Sensor	15	USB Connector
6	Infrared (IR) LED	16	Emergency Key
7	LED Indicator	17	On/Off Key
8	Microphone 2	18	LCD Display
9	Lens	19	Keys (Menu/Back Key, Left Key, Play/Pause/Confirm Key, Right Key)
10	Light Compensator		

LED Indicators

LED Indication	Description
Flashes red once every five seconds	The battery runs low. Please recharge or replace the battery in time.
Glows red	<ul style="list-style-type: none"> ● The product is transmitting. ● The product is being charged. ● The TF card is full.

Basic Operations

Basic Settings

Basic settings allow you to set the BT, WLAN, WLAN hot spot, language, screen, volume, silent mode, night vision, and other features. To enter the basic settings screen, press and hold the **Menu/Back** key in the Live View mode.

Enabling the Device Match

1. Press the **Left** or the **Right** key to select **BT**, and then press the **Play/Pause/Confirm** key.
2. Press the **Play/Pause/Confirm** key again to enter **BT On/Off** screen.
3. Press the **Left** key or the **Right** key to select **On**, and then press the **Play/Pause/Confirm** key.
4. Press the **Left** key or the **Right** key to select **Device Match**, and then press the **Play/Pause/Confirm** key.
5. Press the **Left** key or the **Right** key to select **On**, and then press the **Play/Pause/Confirm** key.

Pre-recording

Note

The pre-recording feature and pre-recording time must be enabled and configured via the programming software by your dealer.

To enter the pre-recording mode, press and hold the **Video Recording** key. To exit pre-recording mode, press and hold the **Video Recording** key again.

Marking Important Videos/Audios

- To mark the video/audio being recorded as “important”, press the **Menu/Back** key when recording.
- To directly record a video/audio marked as “important”, press the **Emergency** key. To stop recording, press and hold the **Emergency** key or press the **Video Recording** key.

Taking Still Photos While Recording Videos

To take still photos while recording videos, press the **Photo Taking** key.

Turning the Flashlight On or Off

To turn the flashlight on, press and hold the **Audio Recording** key. To turn the flashlight off, press and hold **Audio Recording** key again.

Turning the Product off Forcibly

If the product does not respond to any operation, press the **Audio Recording** key, the **Left** key, and the **Right** key simultaneously to power it off, and then power it on again.

For details on more features and operations, please visit our website at <http://www.hytera.com>, or scan the QR code to download the relevant user manual.



Hytera 

is the trademark or registered trademark of Hytera Communications Corporation Limited.

©2018 Hytera Communications Corporation Limited. All Rights Reserved.

Address: Hytera Tower, Hi-Tech Industrial Park North, 9108# Beihuan Road, Nanshan District, Shenzhen, People's Republic of China

Postcode: 518057

<http://www.hytera.com>